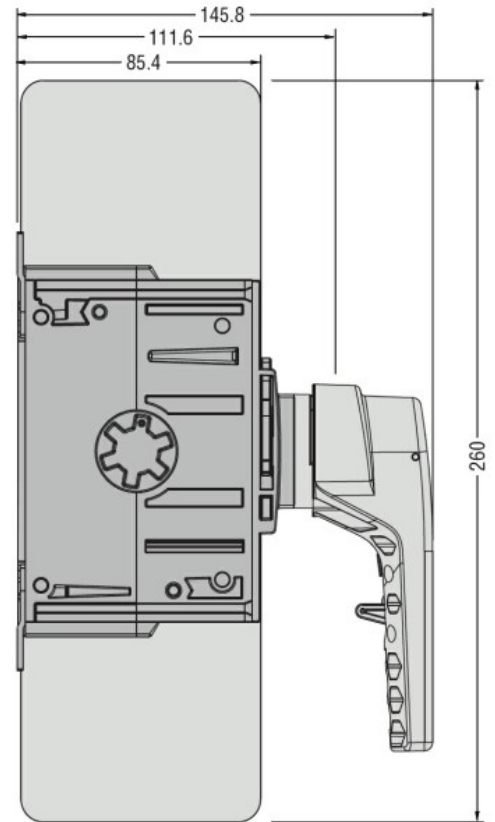
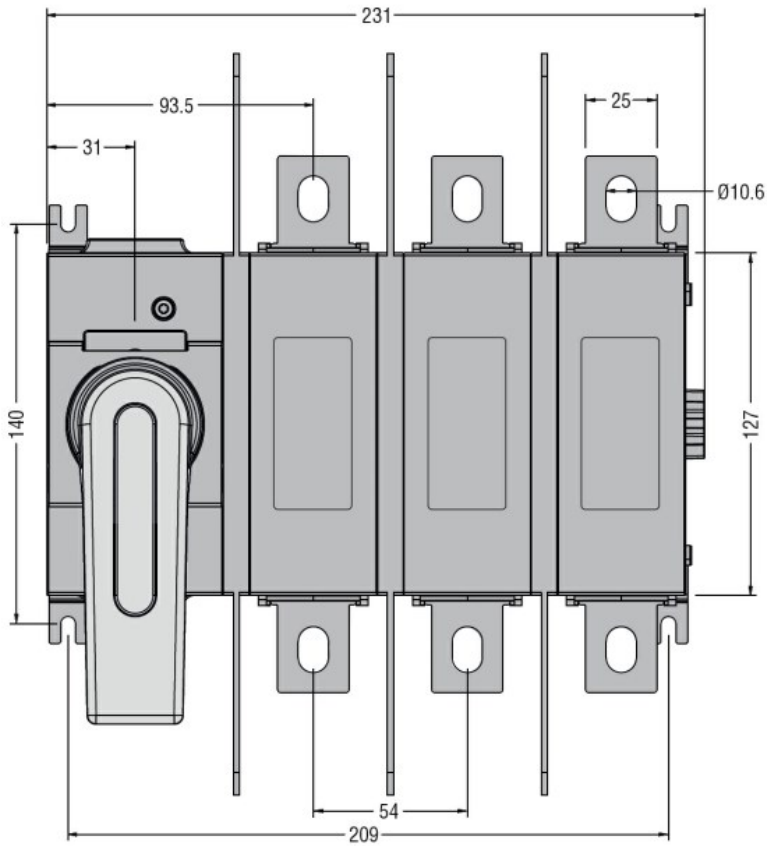


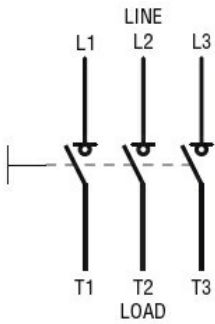


Product designation				
Product type designation				
Number of poles		Nr.		3
Operating voltage type				AC
<b>Contact characteristics</b>				
IEC Conventional free air thermal current I <sub>th</sub>		A		400
Rated insulation voltage U <sub>i</sub> IEC/EN		V		1000
Rated impulse withstand voltage U <sub>imp</sub>		kV		12
Operating current I <sub>e</sub>				
	AC21A			
		400V	A	400
		500V	A	400
		690V	A	400
	AC22A			
		400V	A	400
		500V	A	400
		690V	A	400
	AC23A			
		400V	A	400
		500V	A	400
		690V	A	400
Power dissipation per pole max			W	26
Rated operational power AC23A				
		400V	kW	200
		690V	kW	400
Reactive power for control of capacitors at				
		400V	kvar	180
Rated short time current (1s) I <sub>cw</sub> (rms)			kA	12.5
Rated short time current (0.3s) I <sub>cw</sub> (rms)			kA	20
Conditional short-circuit current (rms)			kA	80
Short-circuit protection with fuse			Class/A	J/400
Making capacity AC23A 400V			A	4000
Breaking capacity AC23A 400V			A	3200
Mechanical life			cycles	10000
<b>Mechanical features</b>				
Operating position				
		normal allowable		Vertical plan
				Any
Fixing				Screw
Terminals				
		type		M10 x 25
Tightening torque for terminals				
		min	Nm	30
		max	Nm	37

	min	lbin	265
	max	lbin	327
<hr/>			
Conductor section			
	IEC min	mm <sup>2</sup>	1x185
	IEC max	mm <sup>2</sup>	2x185
	AWG/kcmil min		1x400
	AWG/kcmil max		2x350
<hr/>			
<b>UL technical data</b>			
UL Standard			UL98
General purpose current rating		A	400
Operating voltage max		V	600
Horsepower/FLA current three phase motor			
	240V	HP	125/312
	480V	HP	250/302
	600V	HP	350/336
<hr/>			
Short circuit rating		kA rms	100
Short circuit rating with fuse		Class/A	J/400
UL Terminal kit lugs			GLX502- GLX503
<hr/>			
Minimum enclosure dimensions at rated current			
	mm	mm	950 x 350 x 200
	in	in	37.4 x 13.8 x 7.9
<hr/>			
<b>Ambient conditions</b>			
Operating temperature			
	min	°C	-25
	max	°C	+55
<hr/>			
Storage temperature			
	min	°C	-40
	max	°C	+70
<hr/>			
Max altitude		m	3000
<hr/>			
<b>Dimensions</b>			



### Wiring diagrams



### Certifications and compliance

#### Compliance

IEC/EN 60947-1  
 IEC/EN 60947-3

#### Certifications

cULus

### ETIM classification

ETIM 8.0

EC000216 -  
 Switch  
 disconnecter